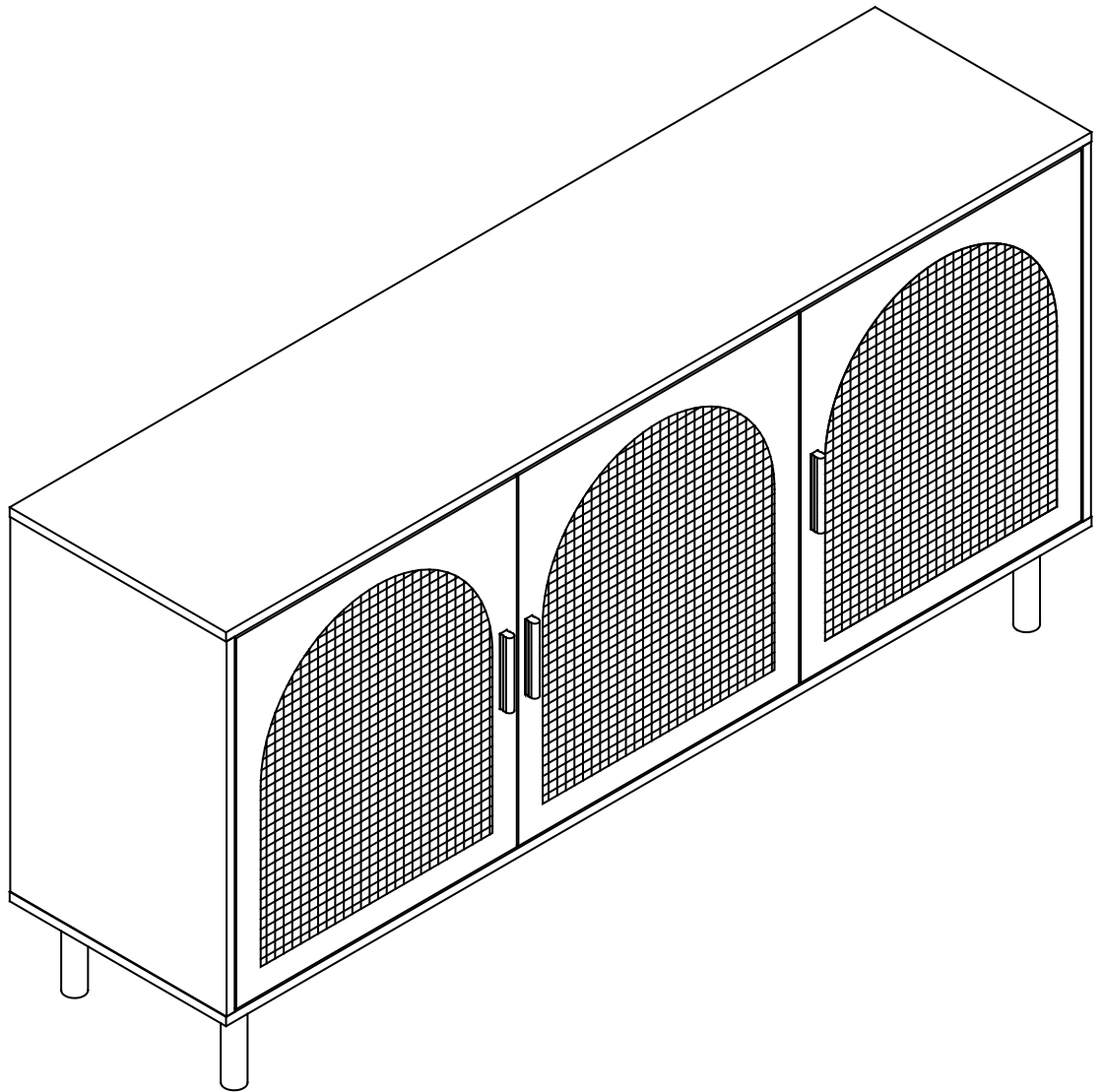


Canyon

Buffet

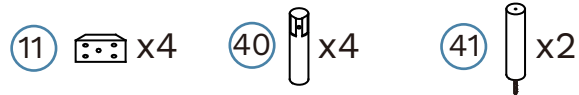
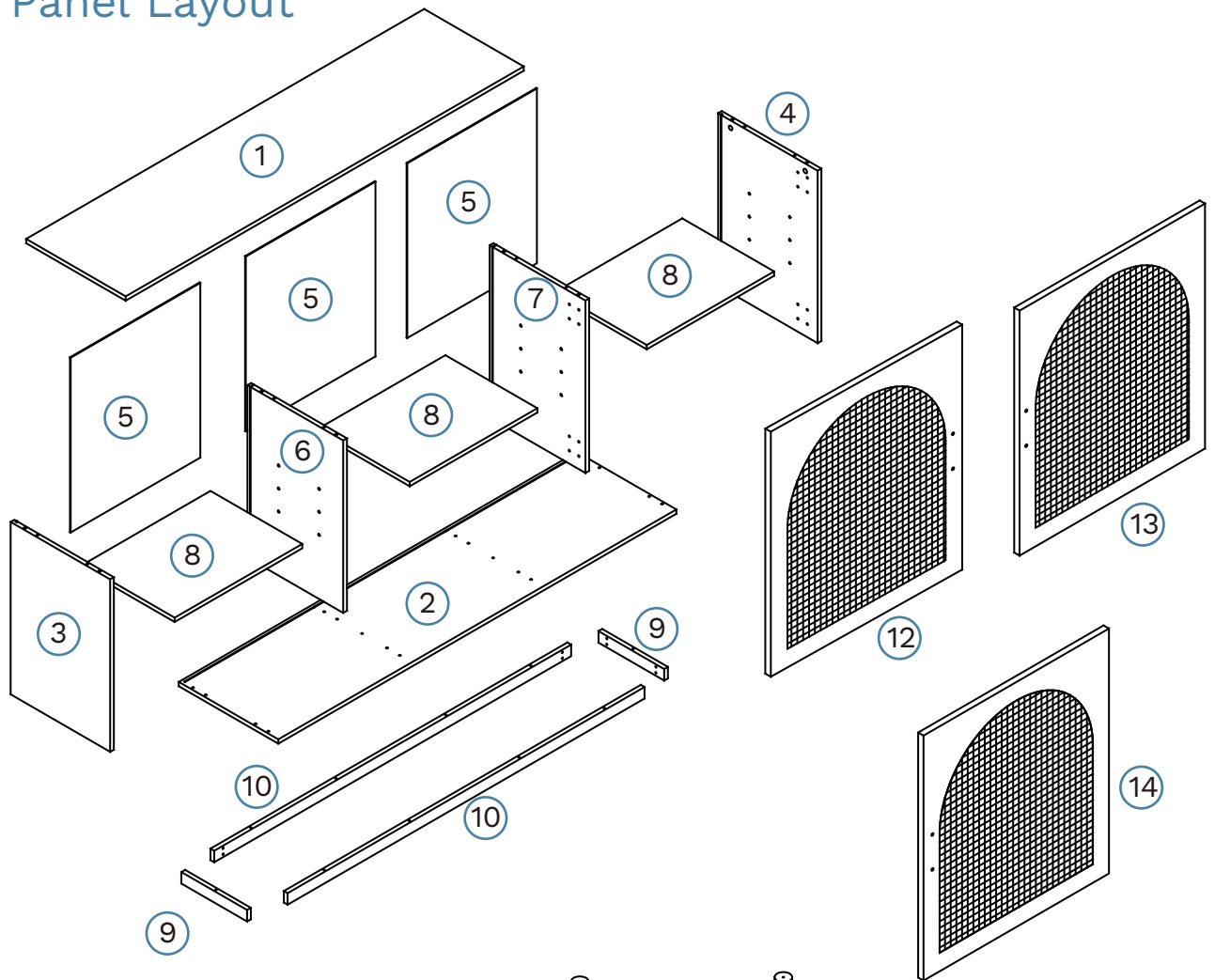
Thank you for your purchase. Please follow the instructions for correct assembly. While we took great effort to ensure these assembly instructions were correct at the time of printing, sometimes updates are required post production. For the most up to date versions please refer to the product page on our website. mocka.com.au/mocka.co.nz



Canyon

Buffet

Panel Layout


















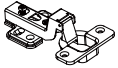







Partlist

(1)	Top Panel	x1	(9)	Rail	x2
(2)	Bottom Panel	x1	(10)	Rail	x2
(3)	Left Side Panel	x1	(11)	Block	x4
(4)	Right Side Panel	x1	(12)	Left Door	x1
(5)	Back Panel	x3	(13)	middle Door	x1
(6)	Divider	x1	(14)	Right Door	x1
(7)	Divider	x1	(40)	Leg	x4
(8)	Shelf Panel	x3	(41)	Support Leg	x2

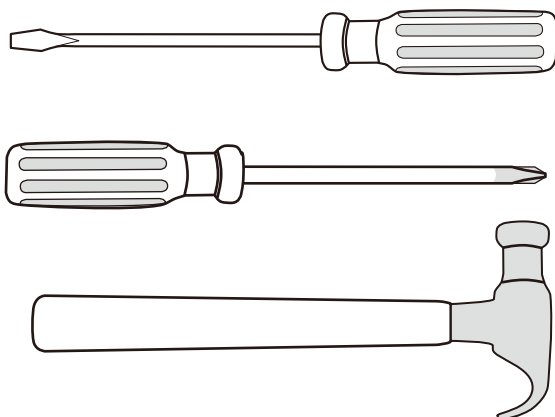
Canyon

Buffet

A  dowel x16	B  screw x18	C  bolt x8	D  locking nut x8	E  hinge screw x36	F  bolt x4	G  wedge x8	H  screw x8	I  Allen Key x1	J  washer x4
K  seal x4	L  plastic glide x4	M  hinge x2	N  screw x22	O  handle x3	P  shelf plug x12	Q  adjuster x2	R  hinge x4	HARDWARE SUPPLIED	

V  safety strap x2	W  screw x 2	X  wall anchor x 2	Y  wall screw x 2	Z  washer x 4	WALL STRAP				
-----------------------------------------------------------------------------------------------------------------------	-----------------------------------------------------------------------------------------------------------------	-----------------------------------------------------------------------------------------------------------------------	------------------------------------------------------------------------------------------------------------------------	--------------------------------------------------------------------------------------------------------------------	-------------------	--	--	--	--

WARNING: Any furniture that is not anchored to a wall has the potential to tip over in certain circumstances, i.e. if a child attempts to climb up on the furniture or in the event of an earthquake. Accordingly, we recommend that all furniture is anchored to a wall. We supply a free safety wall anchor with all furniture sold and we recommend these are used to prevent your product tipping. The fixing device provided should fit most wall types, but please note that different wall materials may require different fixing devices from those supplied.



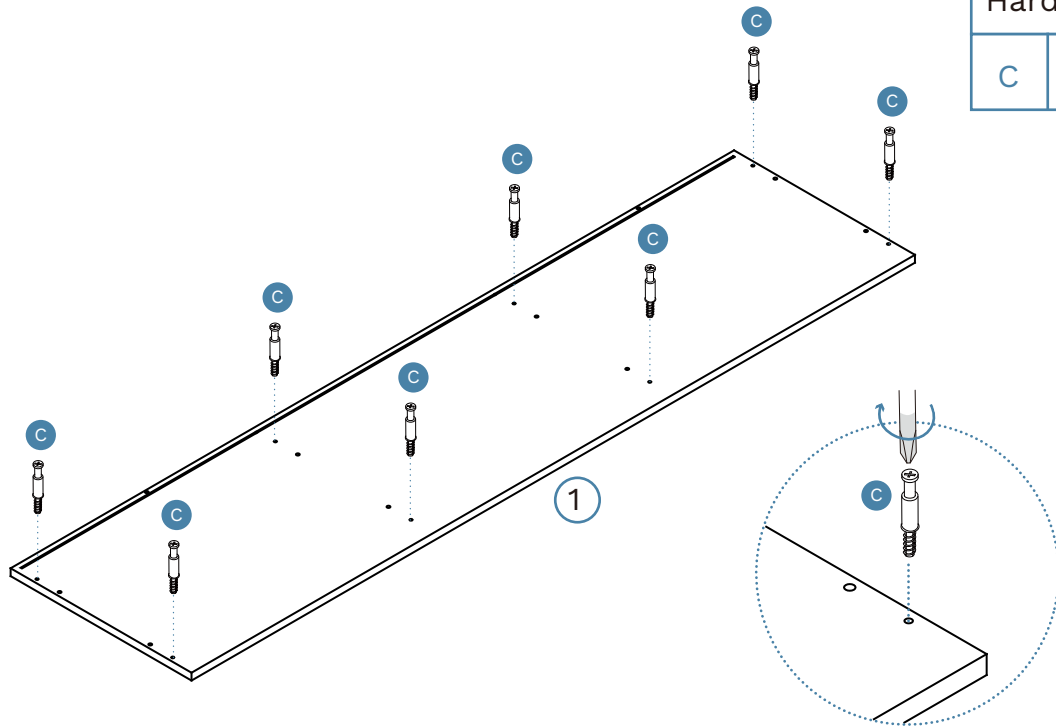
Phillips & Flathead screwdrivers
and hammer required


For quicker assembly, we recommend the use of a power drill on a low-speed setting.

Canyon

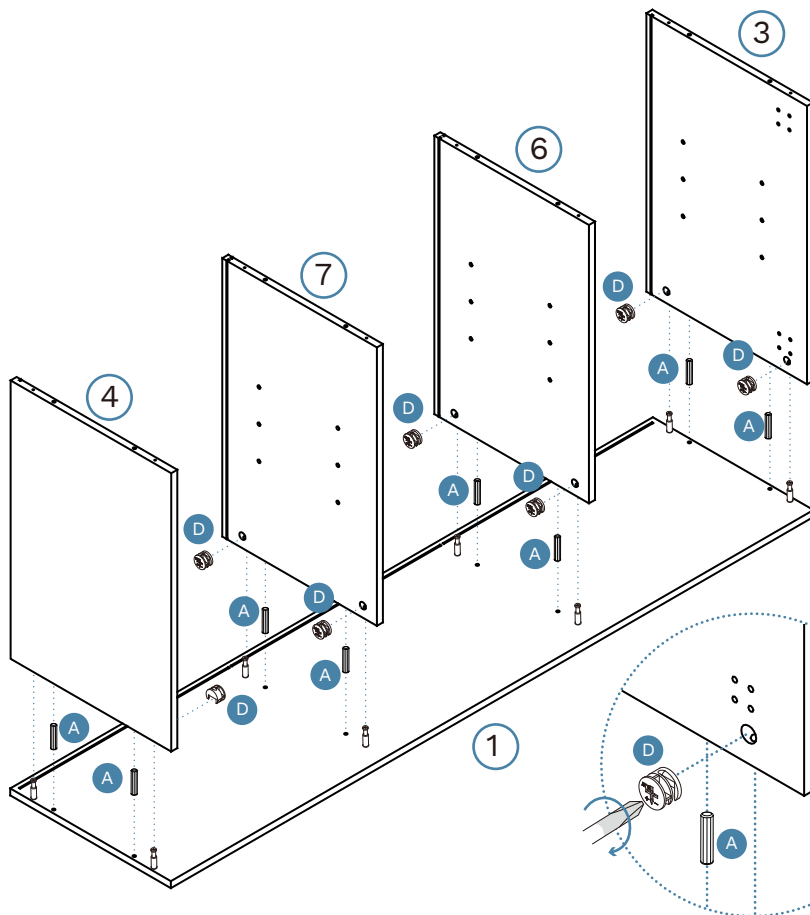
Buffet

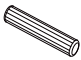

1



Hardware Needed		
C		x8

2

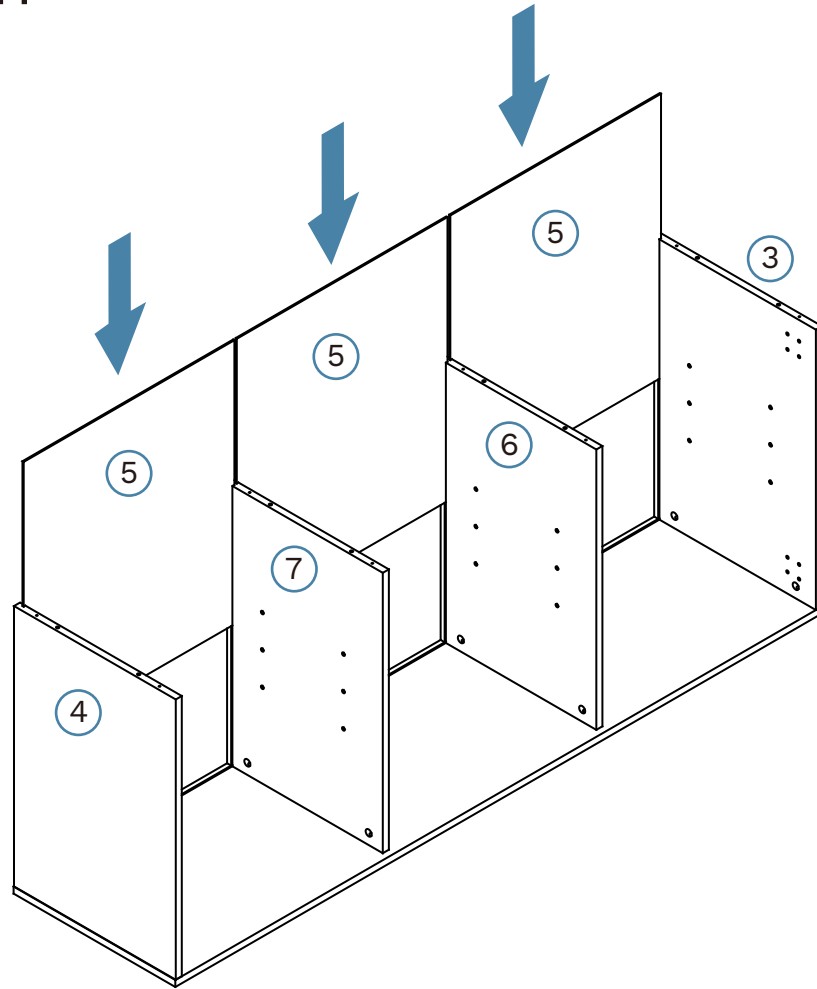


Hardware Needed		
A		x8
D		x8

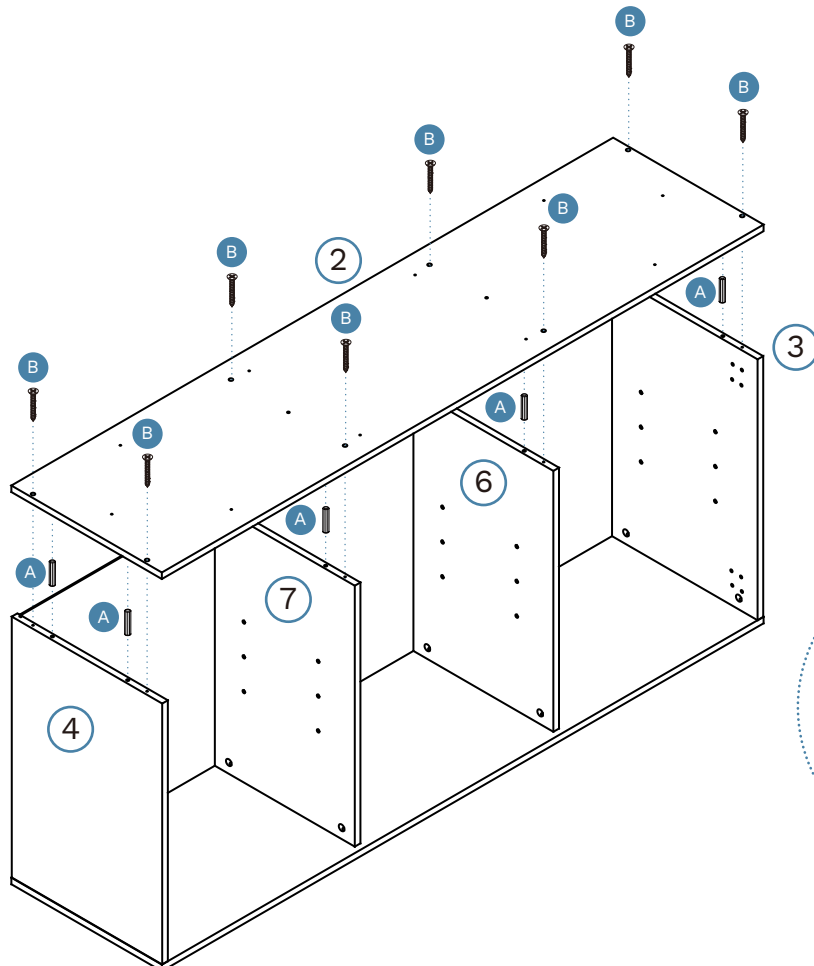
Canyon



Buffet

3



4

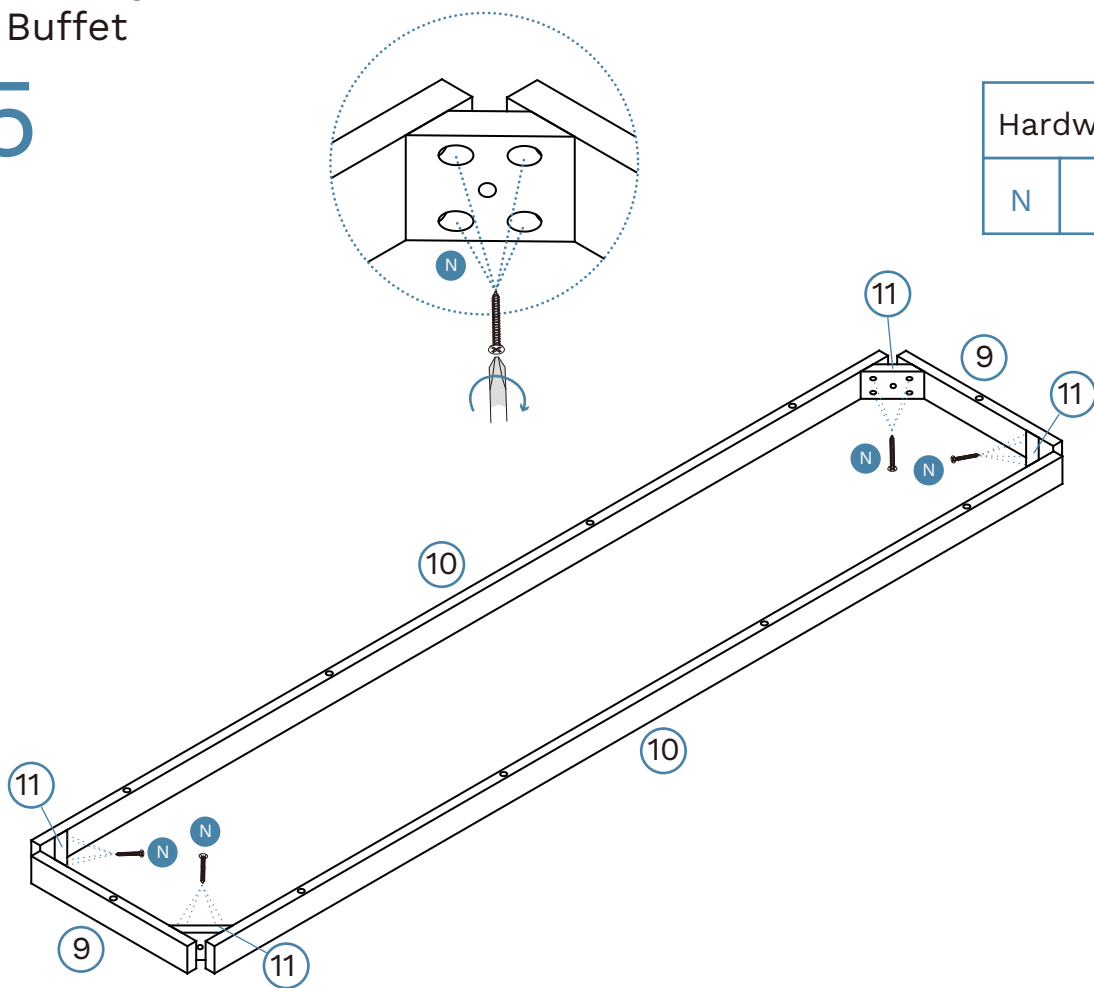


Hardware Needed		
A		x8
B		x8

Canyon

Buffet

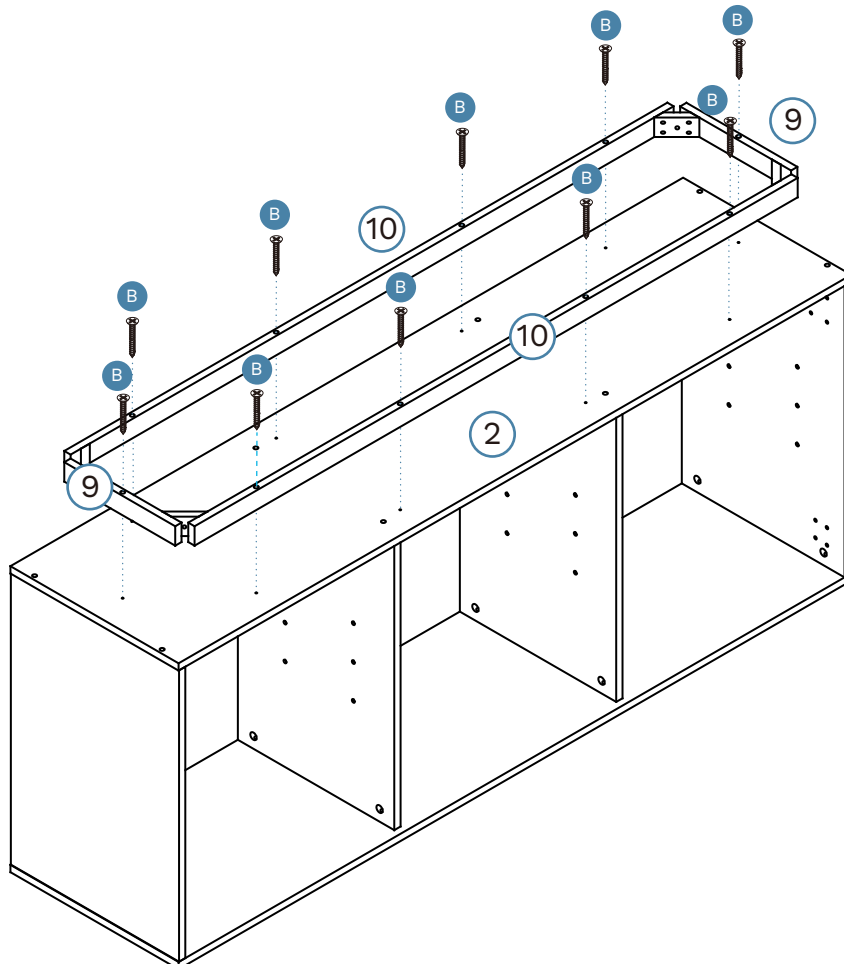
5




Hardware Needed

N		x16
---	-------------------------------------------------------------------------------------	-----

6



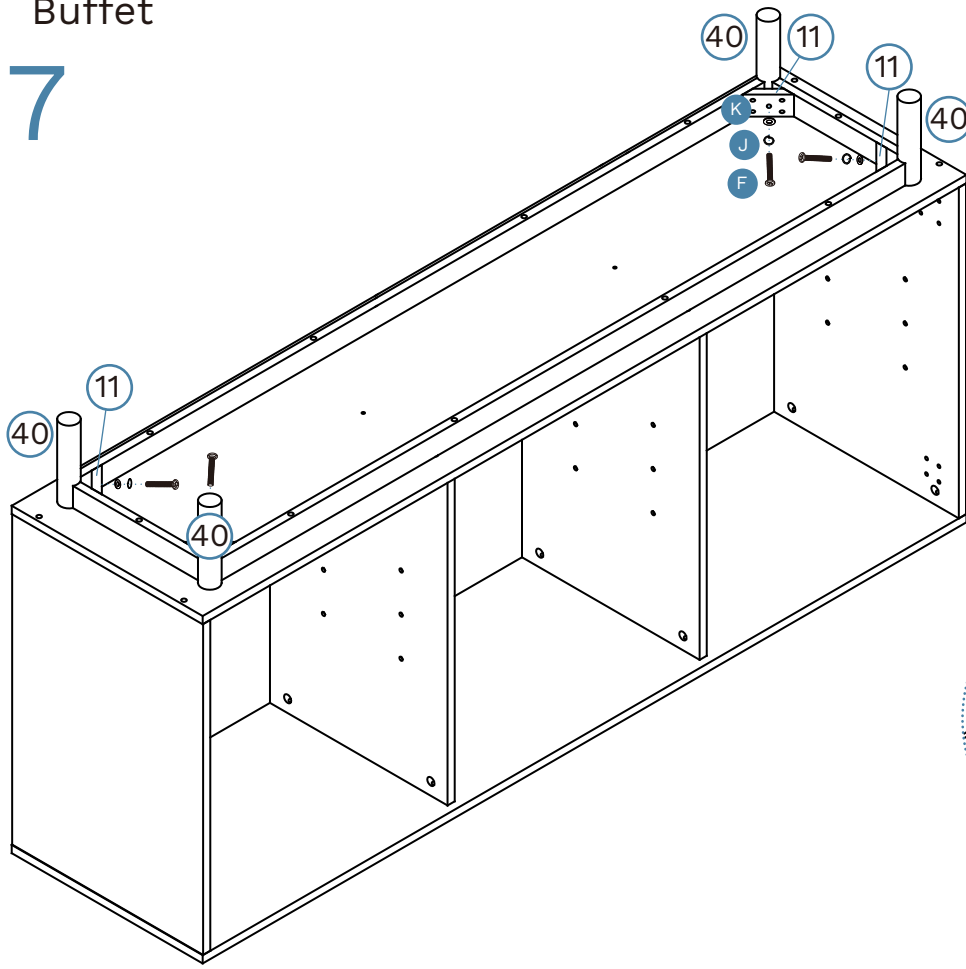
Hardware Needed

B		x10
---	---------------------------------------------------------------------------------------	-----

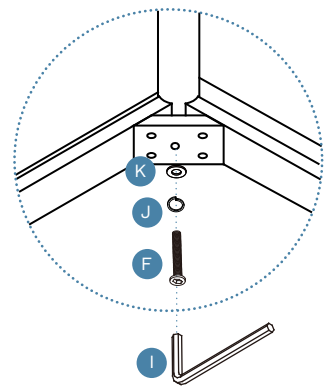
Canyon

Buffet

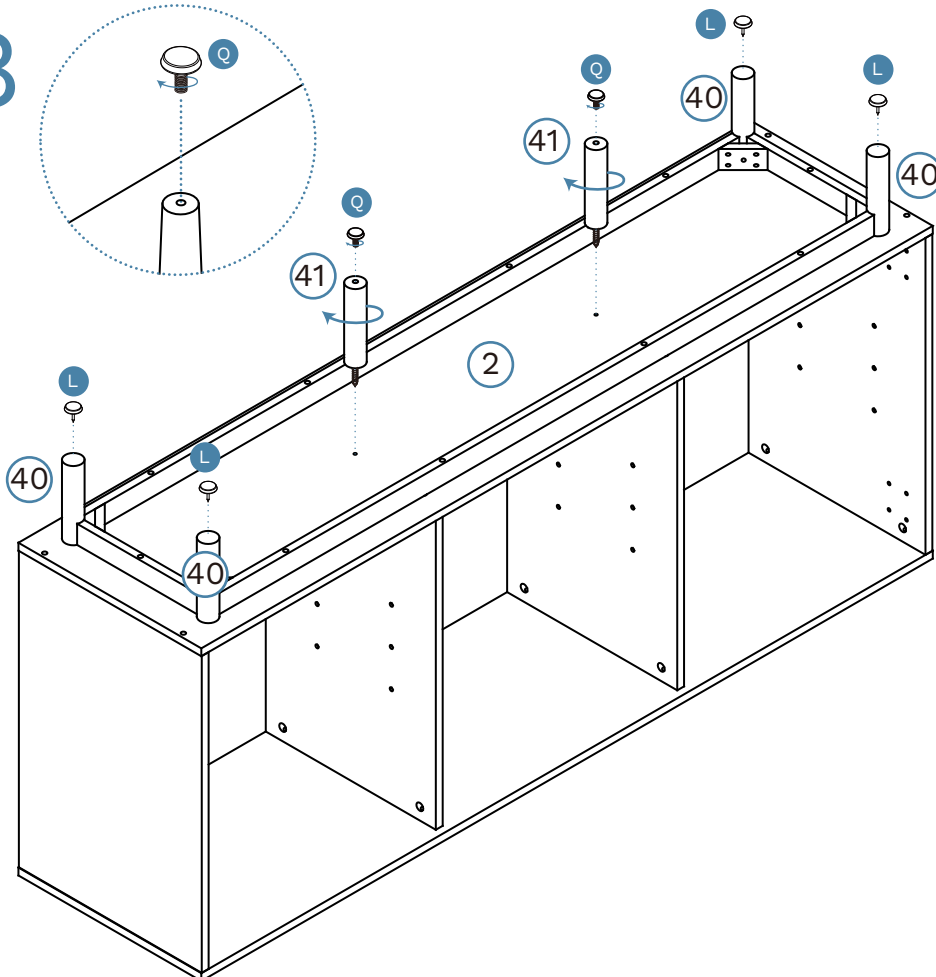
7



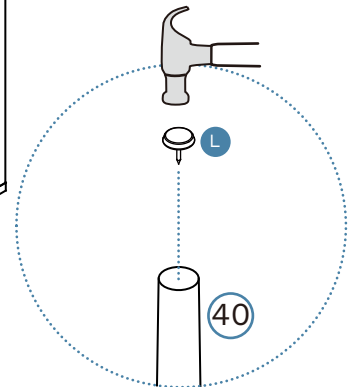
Hardware Needed		
F		x4
I		x1
J		x4
K		x4



8



Hardware Needed		
L		x4
Q		x2



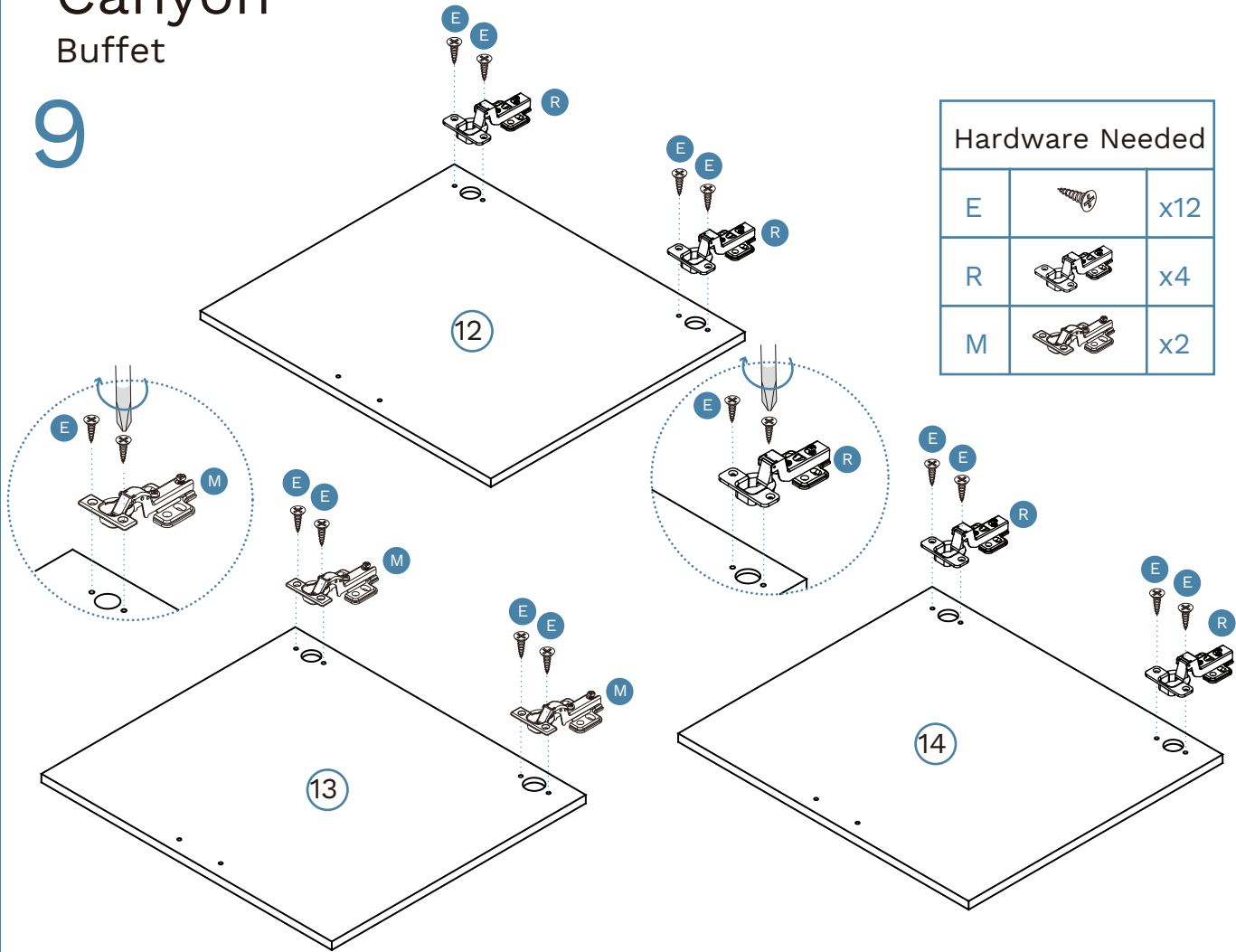
TURN OVER

Mocka.

Canyon

Buffet

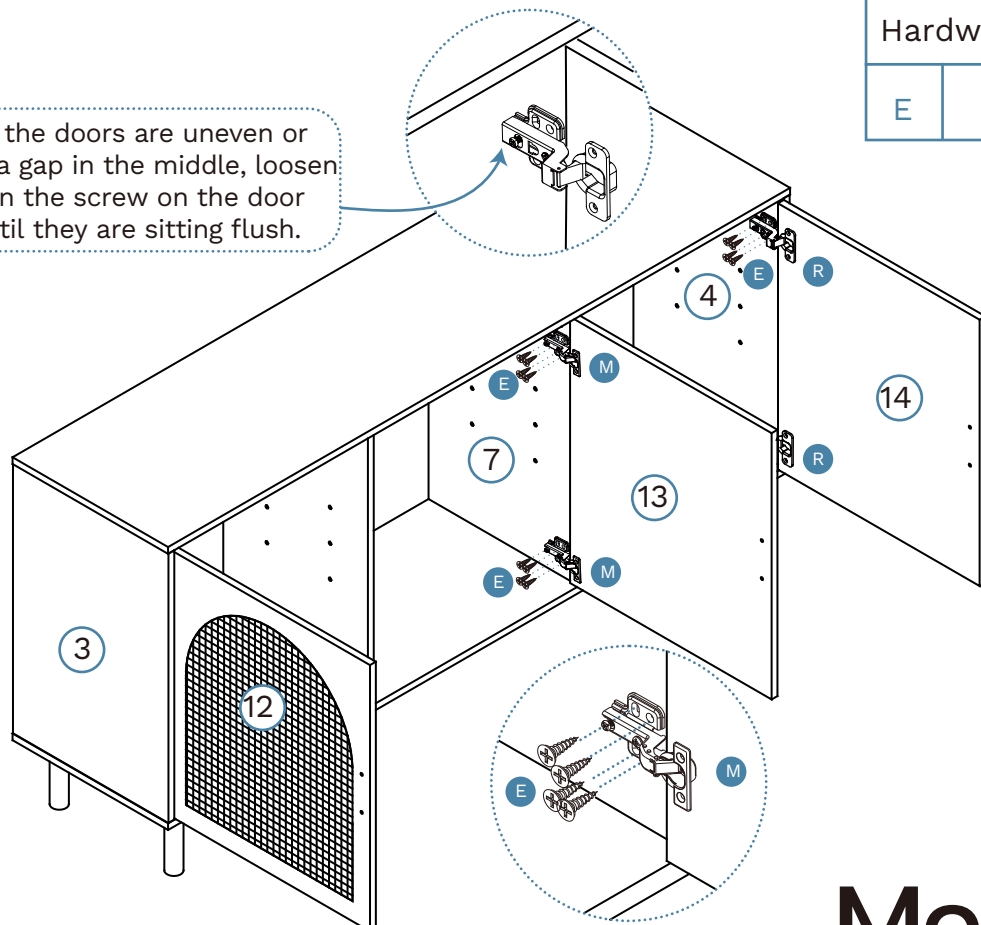
9



Hardware Needed		
E		x12
R		x4
M		x2

10

NOTE: If the doors are uneven or there is a gap in the middle, loosen or tighten the screw on the door hinge until they are sitting flush.

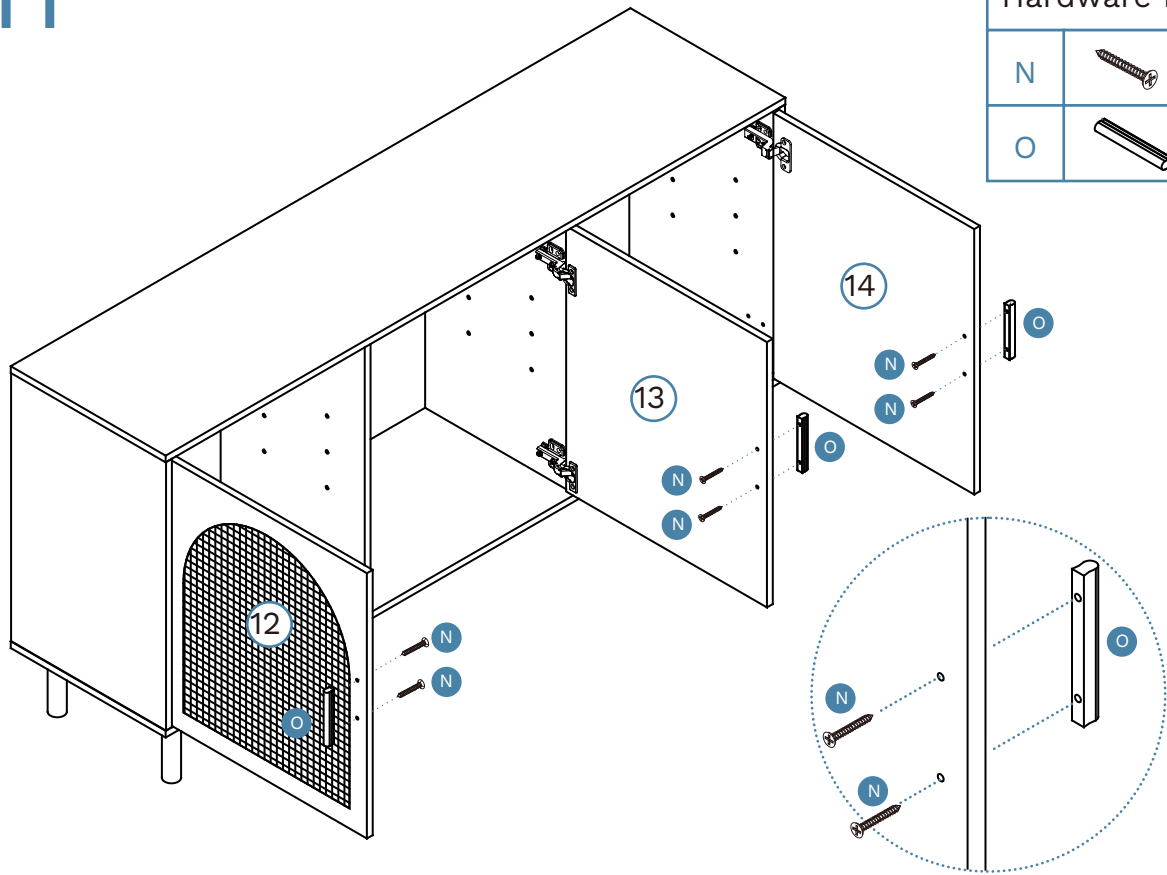




Hardware Needed		
E		x24

Canyon

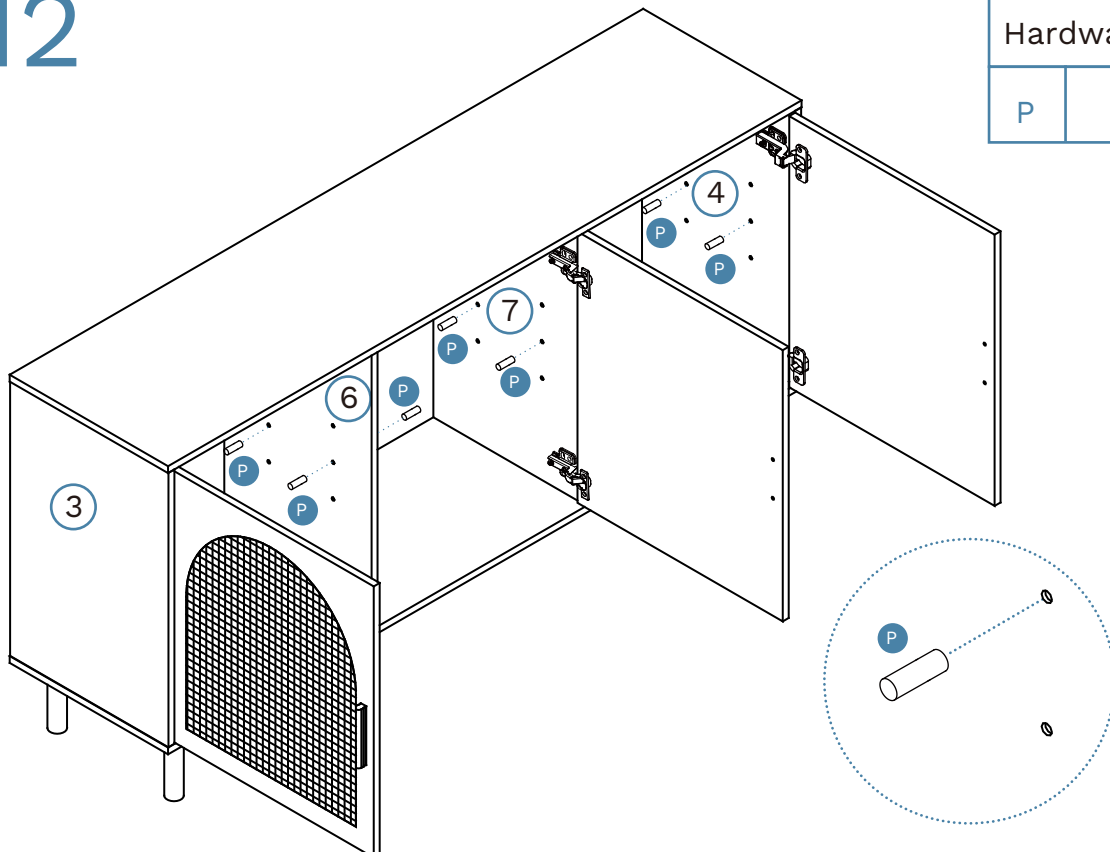
Buffet


11



Hardware Needed		
N		x6
O		x3

12

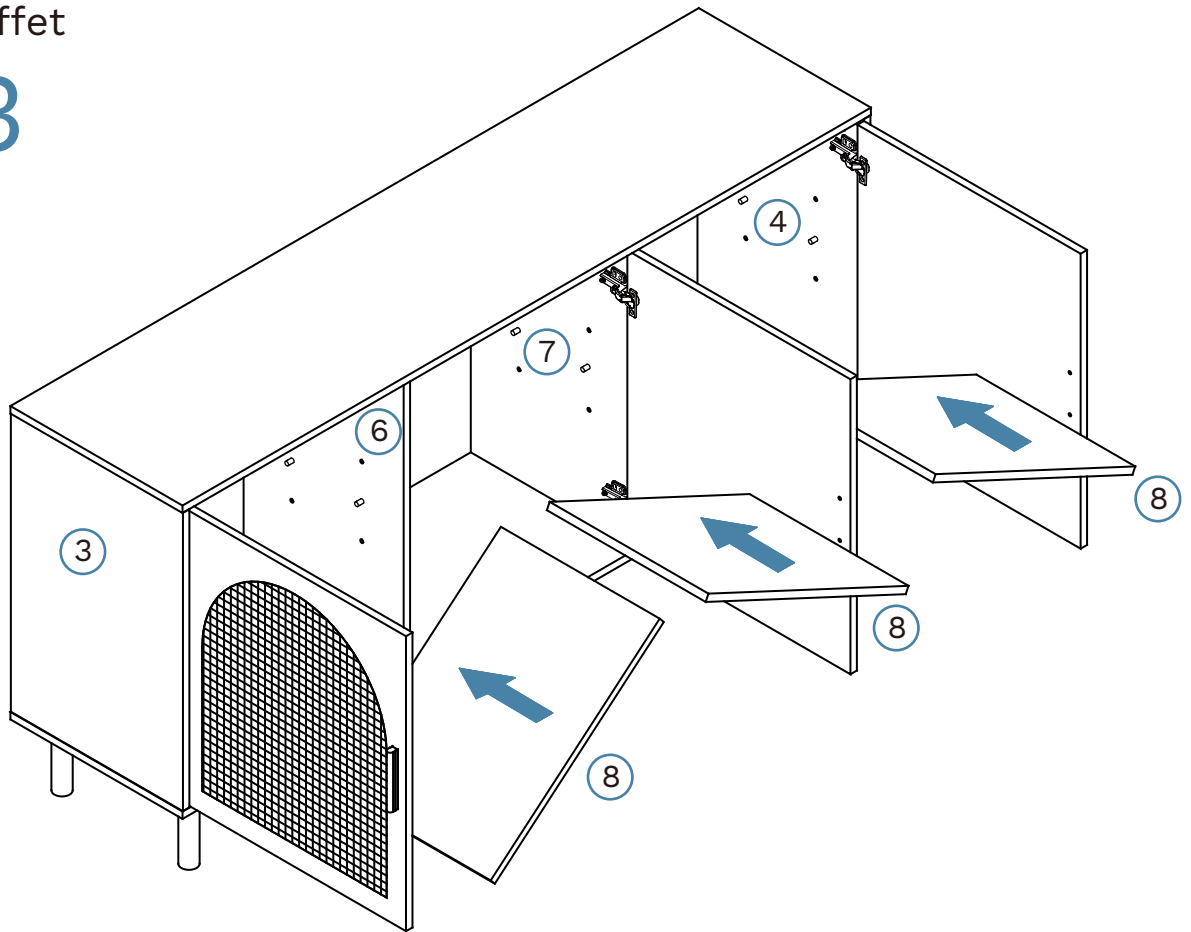


Hardware Needed		
P		x12

Canyon

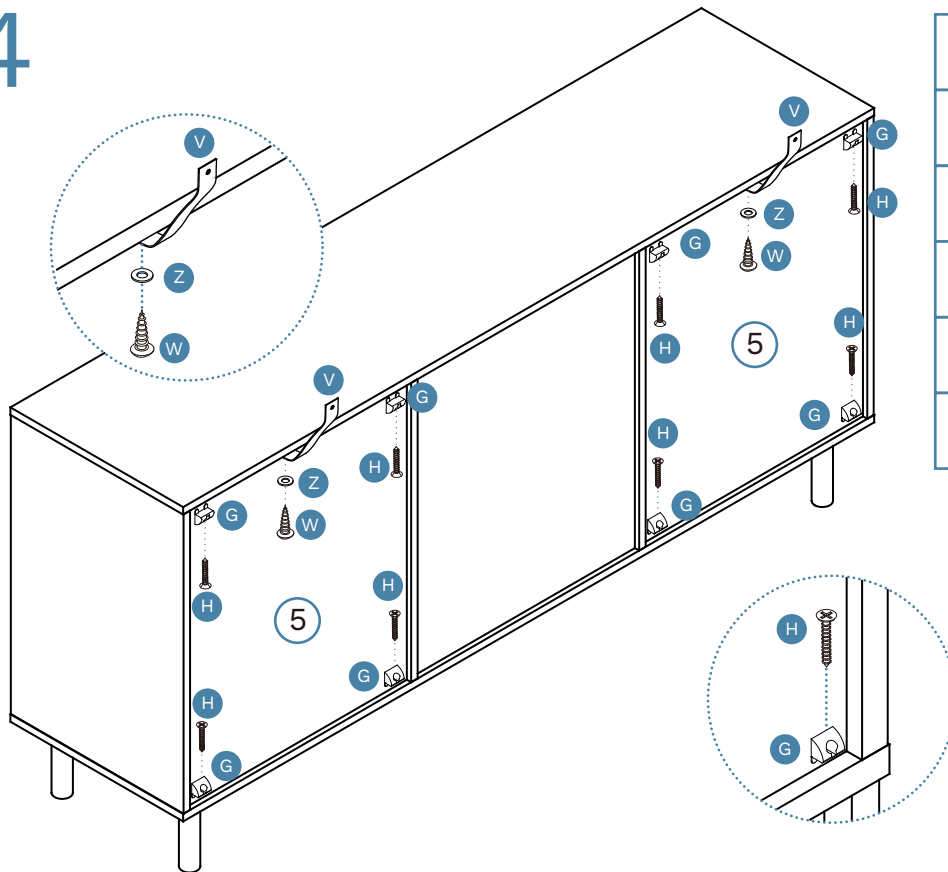
Buffet

13



Rest the shelf panels [8] onto shelf plug (P). Ensure the shelves are balanced and stable.

14

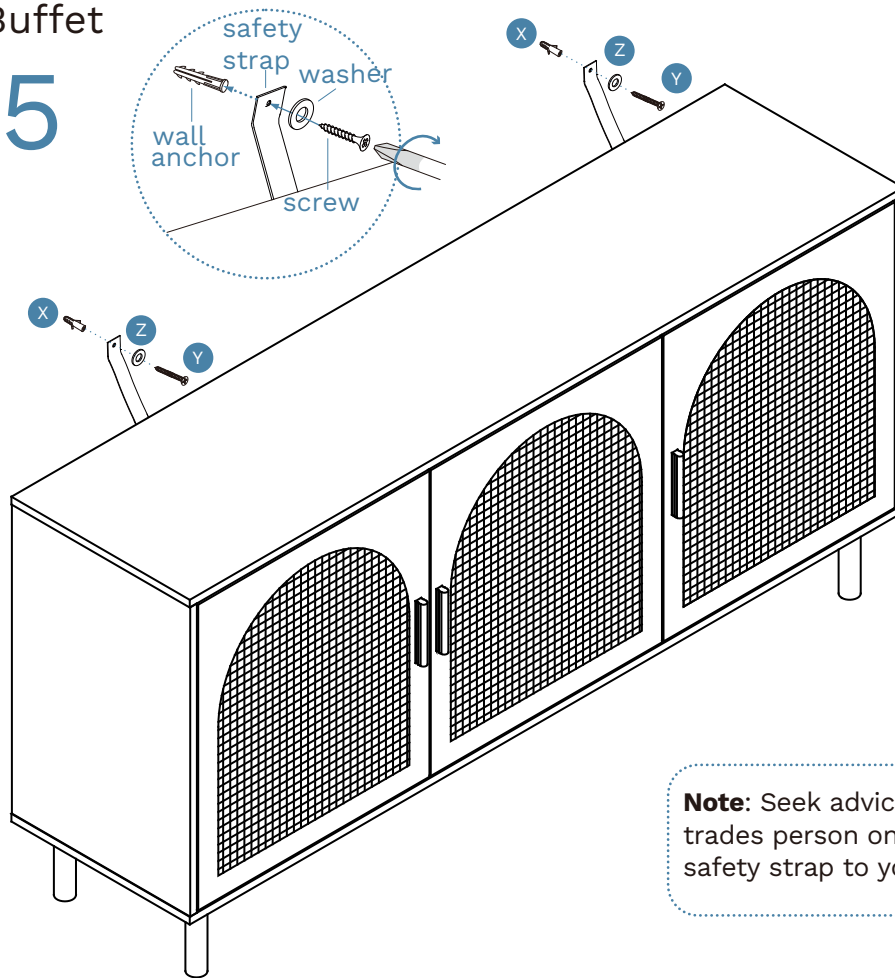





Hardware Needed		
G		x8
H		x8
V		x2
W		x2
Z		x2

Canyon

Buffet

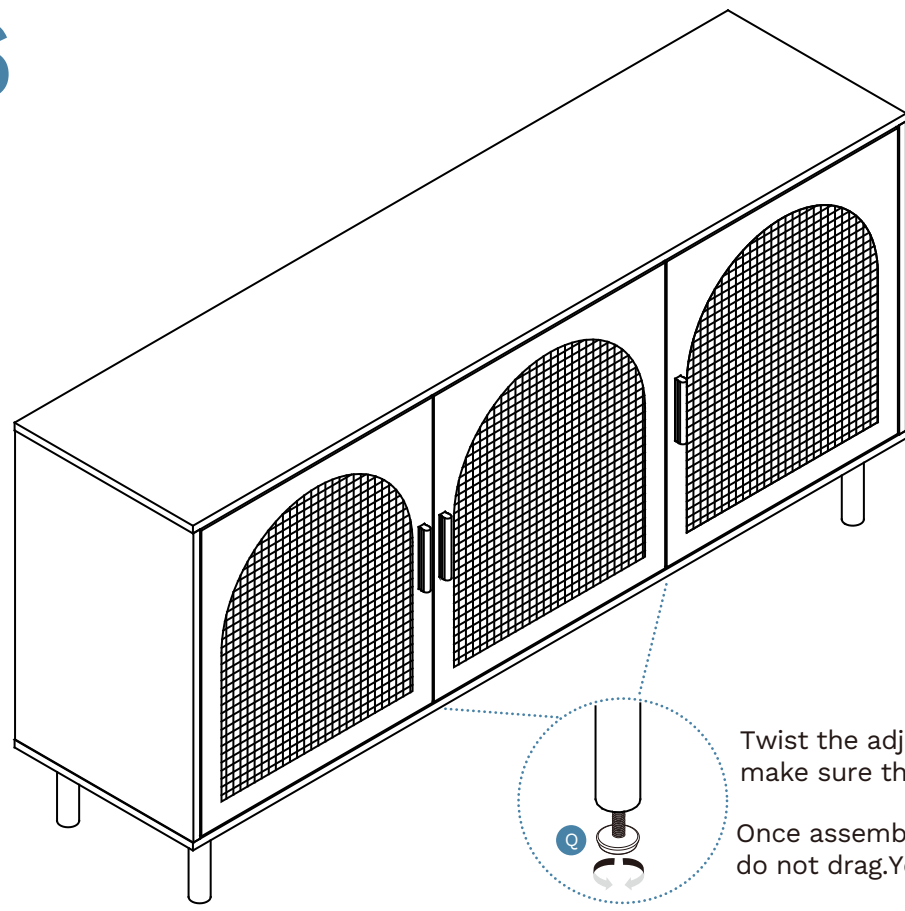
15



Hardware Needed		
X		x2
Y		x2
Z		x2

Note: Seek advice from a qualified trades person on how to attach this safety strap to your specific wall.

16



Twist the adjuster on centre leg to make sure the top panel is flush.

Once assembled lift furniture into place, do not drag. You're done, enjoy!

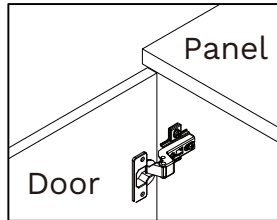
Canyon

Buffet

HOW TO ADJUST THE HINGES TO ALIGN THE DOORS IF NEEDED.

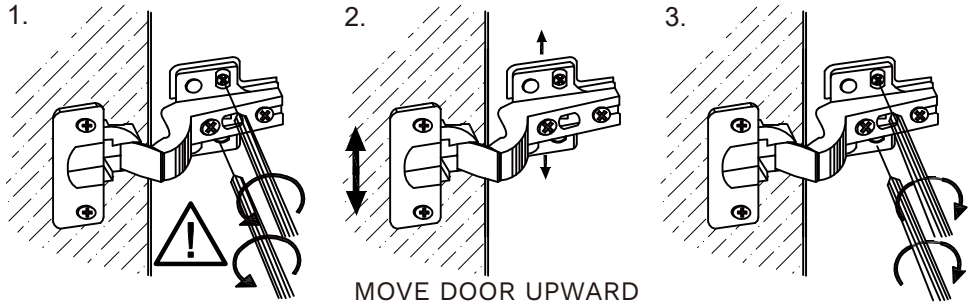
STEP 1

Open the door.



STEP 2

Adjust the door panels upward or downward



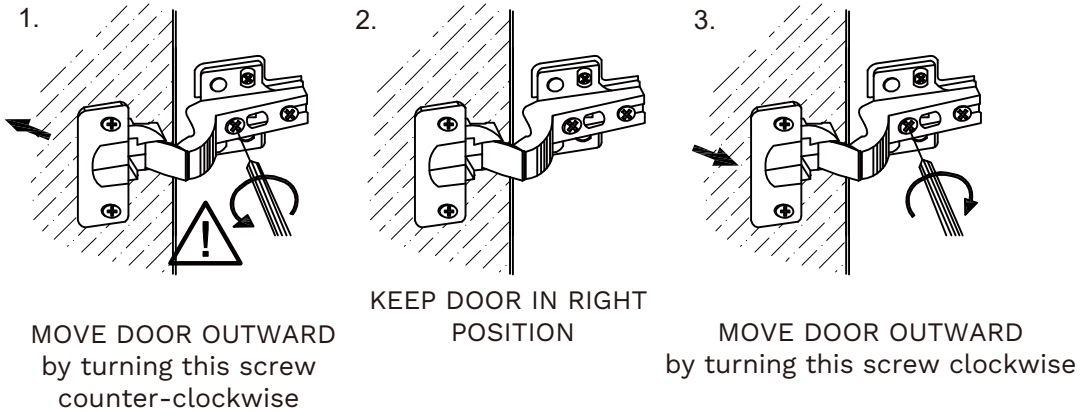
1. Unscrew 2 screws in round holes loosen 2 screws in oval holes a bit.

2. MOVE DOOR UPWARD OR DOWNWARD

3. Tighten 2 screws in oval holes. Screw in 2 screws in round holes

STEP 3

Adjust the flush between door panel and side panel



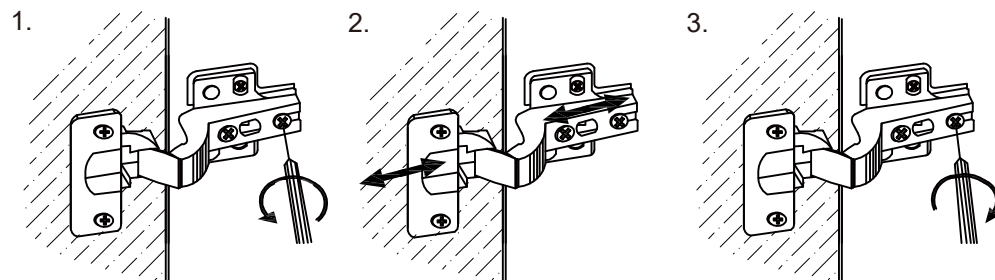
1. MOVE DOOR OUTWARD by turning this screw counter-clockwise

2. KEEP DOOR IN RIGHT POSITION

3. MOVE DOOR OUTWARD by turning this screw clockwise

STEP 4

Adjust the Gap between door panel and side panel



1. Loosen this screw a bit.

2. MOVE DOOR BACK OR FORTH

3. Re-tighten this screw.